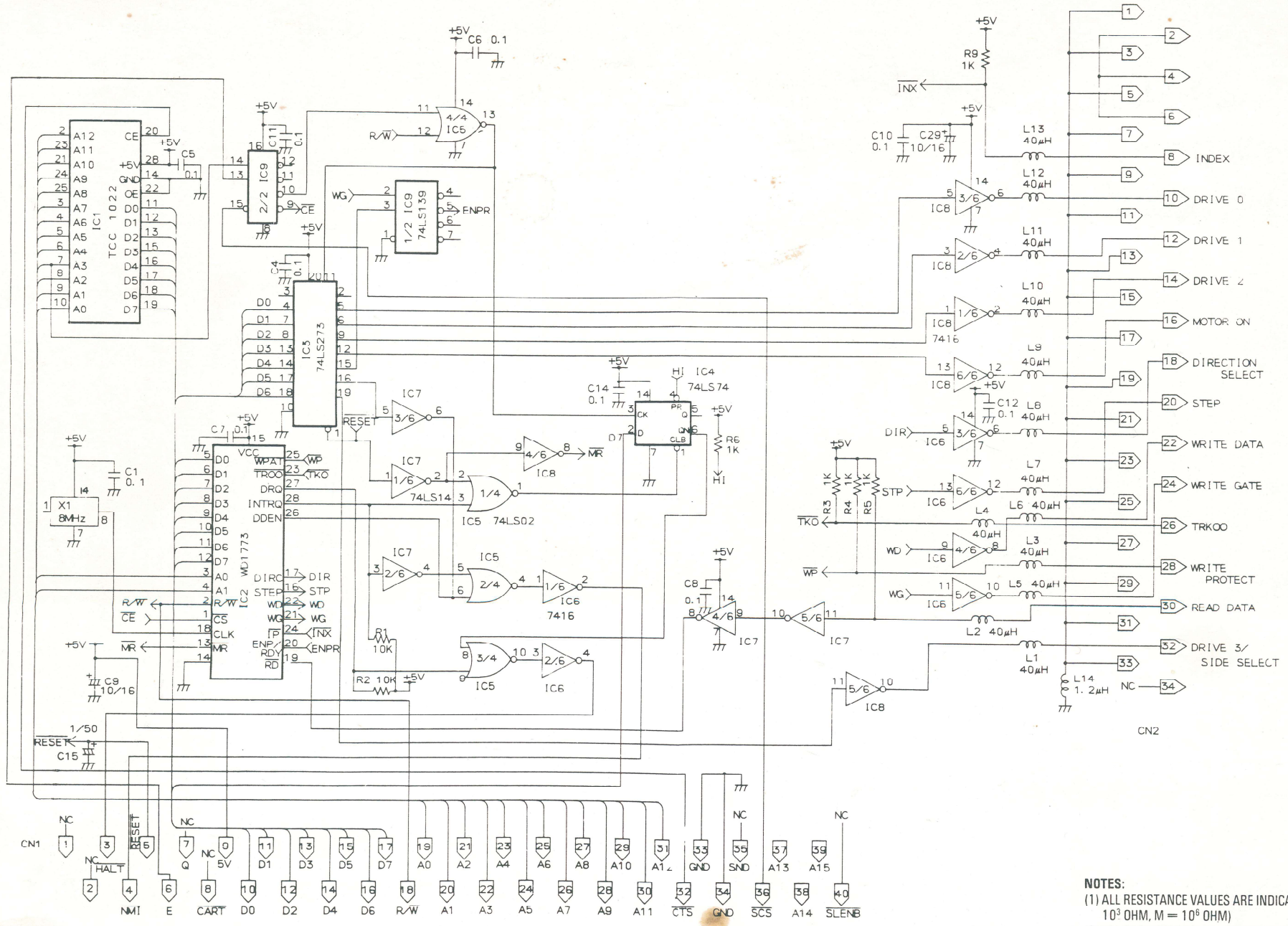


12-2. 26-3133 FDC *FD502*



**NOTES:**  
 (1) ALL RESISTANCE VALUES ARE INDICATED IN "OHM". (K = 10<sup>3</sup> OHM, M = 10<sup>6</sup> OHM)  
 (2) ALL CAPACITANCE VALUES ARE INDICATED IN "μF" (P = 10<sup>6</sup> μF)